

Support

T10556A

en-us Original Instructions

1 General Information

Product Name:	Support
Product Type:	Load holding device
Product Number:	T10556A
Weight:	3.6 kg
Maximum Load Capacity:	135 kg
Static Test Coefficient:	3.0

Intended Use:

- ▶ The reception serves for holding gearboxes together with the support plate VW309A and the engine and gearbox trestle VAS 6095/VAS 6095A in accordance with the workshop manuals of the Volkswagen Group brands.

Terms of Use:

- ▶ Only for qualified workshop personnel.
- ▶ Only use the load holding device for work approved by the Volkswagen Group.
- ▶ Only use for loads up to 135 kg.
- ▶ Only use with the support plate VW309A.
- ▶ Only use the engine and gearbox trestle VAS 6095/VAS 6095A on level, horizontal, and weight-bearing ground.
- ▶ Do not lift any persons or animals.
- ▶ Do not lift articles other than those described in the workshop manuals of the Volkswagen Group brands.
- ▶ Do not stand under suspended loads.
- ▶ Only use in connection with the approved accessories (see workshop manuals of the Volkswagen Group brands).

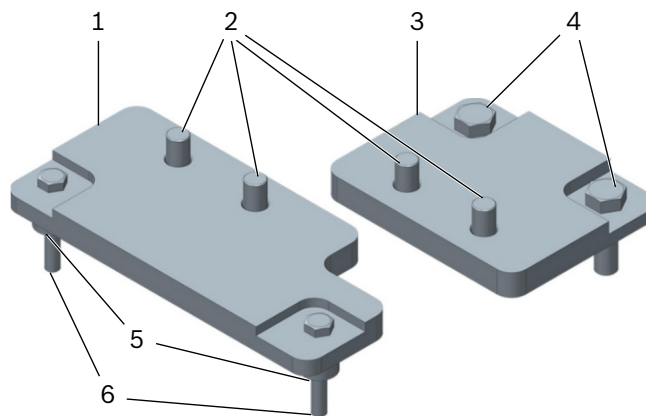


Fig. 1: Support T10556A

- 1 T10556/2A
- 2 Hexagon screw M12x1.5x30-10.9 galvanized (4 pieces)
- 3 T10556/1
- 4 Hexagon screw M12x1.5x40-10.9 galvanized (2 pieces)
- 5 Spacer sleeve (2 pieces)
- 6 Hexagon screw M8x40-10.9 galvanized (2 pieces)

2 General Safety Instructions



WARNING

Read all safety notes and instructions.

Failure to follow the safety instructions may result in serious injuries.

- ▶ The load holding device has been specifically constructed for its intended use. The safety of the load holding device can no longer be ensured if it is misused or modified in ways not expressly approved by the manufacturer. Serious personal injury or severe damage to materials can occur.
- ▶ Ensure that each person using the load holding device is familiar with these instructions and can access them at all times.
- ▶ Ensure that all users are also familiar with the operating manuals of all tools and workshop equipment, which are necessary for the work.
- ▶ Carefully read and adhere to the instructions in the technical safety information of the Volkswagen Group brands.
- ▶ Use the load holding device only for work approved by the Volkswagen Group.
- ▶ Use the load holding device only with the accessories approved by the Volkswagen Group.
- ▶ Do not exceed the maximum load capacity of 135 kg.
- ▶ Do not exceed the maximum load capacity of the accessories used.
- ▶ Only use the reception for gearboxes in accordance with the workshop manuals of the Volkswagen Group brands.
- ▶ Only use screws with the correct length and strength class.
- ▶ Screw the reception to the gearbox with the prescribed torque in accordance with the workshop manuals of the Volkswagen Group brands.
- ▶ Move the load slowly and carefully.
- ▶ Wear safety shoes (according to ISO 20345, S2).
- ▶ Wear protective gloves in order to avoid cuts.
- ▶ Position hands and feet carefully to avoid potential crushing hazards.
- ▶ The engine and gearbox trestle VAS 6095/VAS 6095A shall only be operated by one person alone.
- ▶ The stay of persons in the dangerous area is prohibited during the movement process.
- ▶ Observe the engine and gearbox trestle VAS 6095/ VAS 6095A and the load during all movements.
- ▶ Ensure that the track is clear and easily visible.
- ▶ Only use the reception in connection with the support plate VW309A and the engine and gearbox trestle VAS 6095/VAS 6095A.
- ▶ Only move the load on the lowest setting.
- ▶ When dismantling the reception from the gearbox, the gearbox must be secured with a suitable suspension device and a suitable workshop crane (e.g. VAS 6100).

3 Operating Instructions

1. Check the reception for completeness and visible damages such as signs of wear, deformation, breakages, cracks, and corrosion damages prior to each use. Check all threads for damages. If defects are noted on the reception, do not use it and immediately discard it.
2. Screw the support T10556/1 to the gearbox in accordance with the workshop manual.
3. Screw the support T10556/2A to the support plate VW309A and screw both to the gearbox.

NOTICE

Only use original screws for the screw connection.
Observe the correct torque for the screw connections.
Observe the correct position of the spacer sleeves.

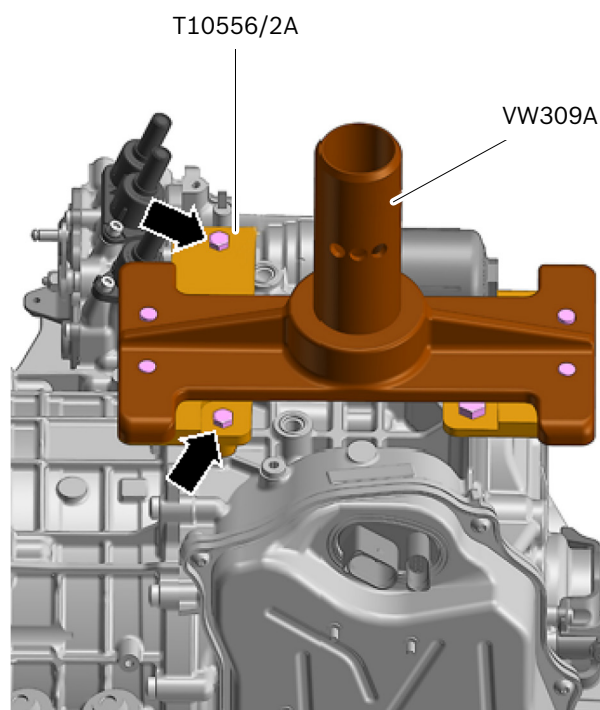
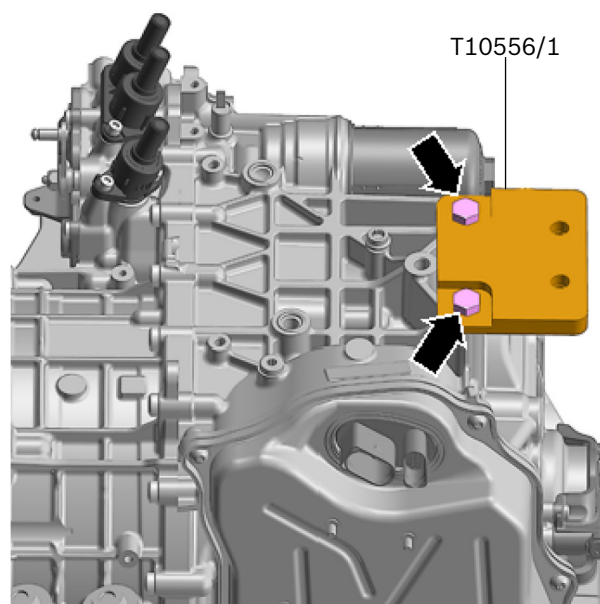


Fig. 2: Screw the reception T10556A to the gearbox

4. Fasten the reception with the support plate VW309A at the engine and gearbox trestle VAS 6095/ VAS 6095A in accordance with the workshop manual.
 - ⇒ Secure the engine and gearbox trestle against rolling away.
 - ⇒ Insert the retaining tube of VW309A completely into the support of the engine and gearbox trestle.
 - ⇒ Insert the positioning bolts.

WARNING

Risk of the load swiveling or falling!

Incorrect attachment of the reception to the load may result in the load swiveling or falling! These actions could cause serious personal injury or severe damage to materials.

- ▶ Attach the gearbox exactly as described in the workshop manual.

WARNING

Crushing Hazard!

Observe hazard of crushing between gearbox and engine support VAS 6095/VAS 6095A.

- ▶ Position hands and feet in such a manner that crushing hazards do not exist when moving the gearbox.

5. Carry out further work as described in the workshop manual.
6. Ensure that all parts of the special tool have been removed after completing the repair work.

4 Inspection and Maintenance

- ▶ Check the reception for completeness and visible damages such as signs of wear, deformation, breakages, cracks, and corrosion damages prior to each use. Check all threads for damages. If defects are noted on the reception, do not use it and immediately discard it.
- ▶ Repairs are not permitted.
- ▶ Spare parts are available on request. Only use original replacement parts.
- ▶ Please contact your 1st level support representative with any queries.

NOTICE

Modifications to this product which have not been expressly approved by the manufacturer will void any warranty. The manufacturer assumes no liability for personal injury or damage to materials which occur as the result of improper use of this product.



Declaration of Conformity with the Machinery Directive 2006/42/EC, Annex II 1A

Manufacturer:	Bosch Automotive Service Solutions GmbH Am Dörrenhof 1 85131 Pollenfeld-Preith Germany
Authorized to Compile the Technical Documents:	Bosch Automotive Service Solutions GmbH Am Dörrenhof 1 85131 Pollenfeld-Preith Germany
Product Name:	Support
Product Type:	Load holding device
Product Number:	T10556A

We hereby declare that the product described above complies with the relevant clauses of the 2006/42/EC Machinery Directive.

Any modification to a product not expressly approved by the manufacturer will void the validity of this declaration.

The following harmonized standards have been applied:

EN ISO 12100:2010	Safety of machinery - General principles for design - Risk assessment and risk reduction
EN 13155:2003+A2:2009	Cranes - Safety - Non-fixed load lifting attachments

Pollenfeld, February 01, 2018

Place, date

Matthias Wagner,
Managing Director