



Support

T10552 | T10595 | T40386

1 General Information

Product name:	Support
Product type:	Load holding device
Product number:	T10552 T10595 T40396
Weight:	8.6 kg (complete with T10595 and T40396)
Max. load capacity:	110 kg
Static test coefficient:	3.0

Intended Use:

- ▶ The support T10552 serves for supporting vehicle components during mounting and demounting in accordance with the workshop manuals of the Volkswagen group brands.

Terms of Use:

- ▶ Only for qualified workshop personnel.
- ▶ Only use the load holding device for work approved by the Volkswagen Group.
- ▶ Use only for loads up to 110 kg.
- ▶ Only use in connection with a suitable engine and gearbox jack (e.g. VAS 6931/V.A.G 1383A) (see workshop manuals of the Volkswagen Group brands).
- ▶ Do not hold or lift any persons or animals.
- ▶ Do not hold or lift articles other than described in the workshop manuals of the Volkswagen Group brands.
- ▶ Do not stand under suspended loads.
- ▶ Only use on level, horizontal and weight-bearing ground.
- ▶ Only use in connection with the approved accessories (see workshop manuals of the Volkswagen Group brands).

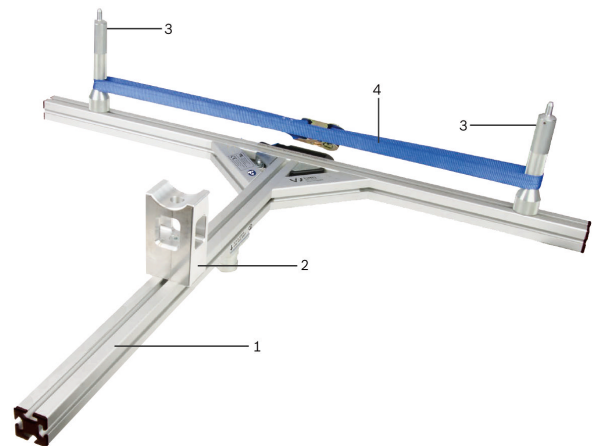


Figure 1: Support T10552

- 1** Cross beam
- 2** Support T10552/2
- 3** Support bolt T10552/1
- 4** Tensioning belt T10552/3

1.1 Optional Accessories

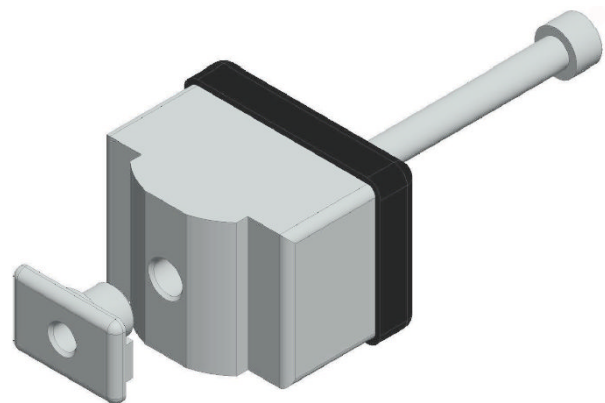


Figure 2: Adapter T40386



Figure 3: Additional rail T10595

2 General Safety Instructions

WARNING

Read and follow all safety notes and instructions!

Failure to follow the safety instructions may result in serious injuries and material damages.

Observe and follow the safety notes below.

-
- ▶ The load holding device has been specifically constructed for its intended use. The safety of the load holding device can no longer be ensured if it is misused or modified in ways not expressly approved by the manufacturer. Serious injuries or damage to property can occur.
 - ▶ Ensure that each person using the load holding device is familiar with these instructions and can access them at all times.
 - ▶ Ensure that all users are also familiar with the operating manuals of all tools and workshop equipment, which are necessary for the work.
 - ▶ Observe and follow the basic information and safety notes for vehicles with gas drive in the corresponding Volkswagen Group information materials.
 - ▶ Carefully read and adhere to the instructions in the technical safety information of the Volkswagen Group brands.
 - ▶ Wear safety shoes (according to ISO 20345, S2).
 - ▶ Wear protective gloves in order to avoid cuts.
 - ▶ Position hands and feet carefully to avoid potential crushing hazards.
 - ▶ Use the load holding device only for work approved by the Volkswagen Group.
 - ▶ Use the load holding device only with the accessories approved by the Volkswagen Group.
 - ▶ Do not exceed the maximum load capacity of 110 kg.
- ▶ Only use the support for engine and gearbox units in accordance with the workshop manuals of the Volkswagen Group brands.
 - ▶ Only use in connection with a suitable engine and gearbox jack (e.g. VAS 6931/V.A.G 1383A) (see workshop manuals of the Volkswagen Group brands).
 - ▶ The engine and gearbox jack may only be operated by one person.
 - ▶ The positioning of persons under the load and in the dangerous area is prohibited during the movement process.
 - ▶ Move the load slowly and carefully.
 - ▶ Observe the engine support and the load during all movements.
 - ▶ Only move the load on the lowest setting.
 - ▶ Ensure that the track is clear and easily visible.
 - ▶ Do not work on suspended loads.

4 Inspection and Maintenance

- ▶ Check the support for completeness and visible damages such as signs of wear, deformation, breakages, cracks, and corrosion damages prior to each use. Check all threads for damages and ease of operation. Do not use the support when defects are noted and discard it immediately.
- ▶ Spare parts are available on request. Only use original replacement parts.
- ▶ Please contact your 1st level support representative with any queries.

NOTICE

Modifications to this product which have not been expressly approved by the manufacturer will void any warranty. The manufacturer assumes no liability for personal injuries or damages to materials which occur as the result of improper use of this product.



Declaration of Conformity with the Machinery Directive 2006/42/EC, Annex II 1A

Manufacturer:	Bosch Automotive Service Solutions GmbH Am Dörrenhof 1 85131 Pollenfeld-Preith Germany
Authorised to Compile the Technical Documents:	Bosch Automotive Service Solutions GmbH Am Dörrenhof 1 85131 Pollenfeld-Preith Germany
Product name:	Support
Product type:	Load holding device
Product number:	T10552 T10595 T40396

We hereby declare that each product described above complies with the relevant clauses of the 2006/42/EC Machinery Directive.

Any modification to a product not expressly approved by the manufacturer will void the validity of this declaration.

The following harmonised standards have been applied:

EN ISO 12100:2010	Safety of machinery - General principles for design - Risk assessment and risk reduction
EN 13155:2003+A2:2009	Cranes - Safety - Non-fixed load lifting attachments

Pollenfeld, 30 July 2018
Place, Date

Matthias Wagner, Managing Director