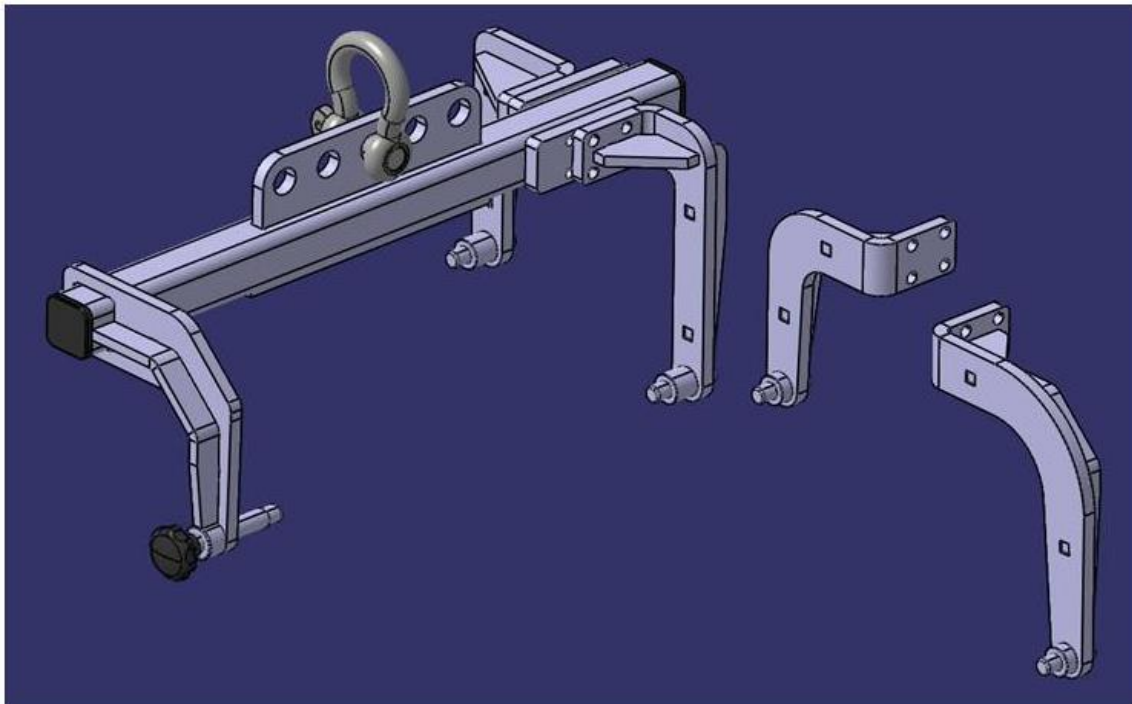


English

VOLKSWAGEN

AKTIENGESELLSCHAFT



operating manual Lifting device VAS 501 019

Document number: BA VAS501019, 09-2020, original instructions



Table of Contents

1. General	3
1.1 General safety information	3
1.2 scope of delivery	5
1.3 Applicable documents	5
1.4 Intended Use	5
1.5 Tasks and obligations of the operator	6
2. Use of the lifting device VAS 501 019	6
2.1 safety instructions	6
2.2 Use of the lifting device VAS 501 019	7
2.3 Assembly of the lifting device VAS 501 019	8
2.4 Disassembly of the lifting device VAS 501 019	9
3. Maintenance and Care	9
3.1 maintenance	9
3.2 Care instructions	9
4. CE	10

RB-Metall-Technik

Am Dörrenhof 14b

85131 Pollenfeld/ Preith

Tel.: +49 (0) 8421-9360033

Fax: +49 (0) 8421-9360035

Web: www.rbmetall-technik.de

1. General

These operating instructions contain important information and regulations for the operation of the lifting device. Keep the operating instructions ready to hand with the lifting device.

Read the operating instructions carefully. Pay particular attention to the safety instructions.

1.1 General safety information



In order to use the lifting device VAS 501 019 correctly, the trained user must have access to the specific repair manuals of the Volkswagen Group brands.

Every user must carefully read and follow the workshop manual before using the lifting device VAS 501 019.

The warning notices must be read and understood before repairs are carried out.

Repair guides are available from the importer or on the importer's homepage.

The workshop manuals must always be available at the point where the lifting device VAS 501 019 is used.

In addition to the repair guides and the applicable, binding regulations for accident prevention, the generally recognized safety rules and guidelines must be followed.

User errors that damage the lifting device VAS 501 019 invalidate the warranty and guarantee.

The operating instructions must remain with the lifting device VAS 501 019 and be available to the user. This must also be observed when passing on the lifting device VAS 501 019.

Make sure that only qualified and trained personnel use the lifting device VAS 501 019.

Users who have not been trained in the use of the lifting device VAS 501 019 may not use it.

Before each use, check the lifting device VAS 501 019 for visible damage such as signs of wear, deformations, breaks, cracks and corrosion damage. Check all threads for damage. If defects are found, do not use the lifting device and discard it immediately.

The lifting device VAS 501 019 may only be used for the purpose intended by the manufacturer.

The lifting device VAS 501 019 must never be misused or loaned to untrained personnel.

The lifting device VAS 501 019 must never be thrown or dropped.

Volkswagen AG does not permit any modifications or changes to the lifting device VAS 501 019.

A damaged lifting device VAS 501 019 must be replaced.

The lifting device VAS 501 019 must be cleaned every 12 months or more frequently if necessary. After cleaning, the user of the lifting device VAS 501 019 must carry out a visual inspection for damage such as signs of wear and tear, deformation, breaks, cracks and corrosion damage.

Use only for loads up to 125kg.

Do not pick up or lift people or animals.

Appropriate protective equipment must be worn when using the lifting device.

Do not stand under suspended loads.

Use only in conjunction with a suitable workshop crane.

Check the travel path for the workshop crane during transport.

Use only in conjunction with approved accessories.

1.2 scope of delivery

Lifting device VAS 501 019 included

- Ⓐ Traverse A
- Ⓑ Bracket B VAS 501 019/1
- Ⓒ Bracket C VAS 501 019/2
- Ⓓ Bracket D VAS 501 019/3
- Ⓔ Bracket E VAS 501 019/4
- Ⓕ Shackle F
- Ⓖ Bolt G

See also page 7.

1.3 Applicable documents

Applicable documents are these operating instructions and the vehicle-specific repair manuals.

1.4 Intended Use

The lifting device may only be used for the work described in the Volkswagen AG repair manuals.

The lifting device VAS 501 019 in conjunction with the workshop crane VAS 6100 and the engine and gearbox jack VAS 6095 are used for lifting, transporting and repairing the drive units of electric vehicles.

Further information can be found in the vehicle-specific workshop manual.

1.5 Tasks and obligations of the operator

In addition to the instructions and notes in these operating instructions, generally applicable, statutory and other binding regulations for accident prevention and environmental protection must be observed.

The operator must ensure that the personnel are trained and instructed in handling the lifting device VAS 501 019.

2. Use of the lifting device VAS 501 019

2.1 safety instructions



WARNING!

Risk of injury from unauthorized and incorrect use.

Misuse of the lifting device VAS 501 019 or non-compliance with the generally applicable operating instructions can cause cuts, crush injuries, amputation or even death.

- * Observe these operating instructions for the assembly work.
- * The use of the lifting device VAS 501 019 must be implemented in accordance with the vehicle-specific repair guidelines.
- * Only mount the brackets and small parts included in the scope of delivery.
- * **Never exceed the maximum load capacity of 125kg.**
- * The contact surfaces of the bracket must be clean, dry and free of grease. The bolt must be greased.
- * The appropriate brackets must be screwed securely.
- * Work carefully so that the lifting device VAS 501 019 does not swing.
- * The lifting device VAS 501 019 must be visually checked before use, do not use if it is damaged.

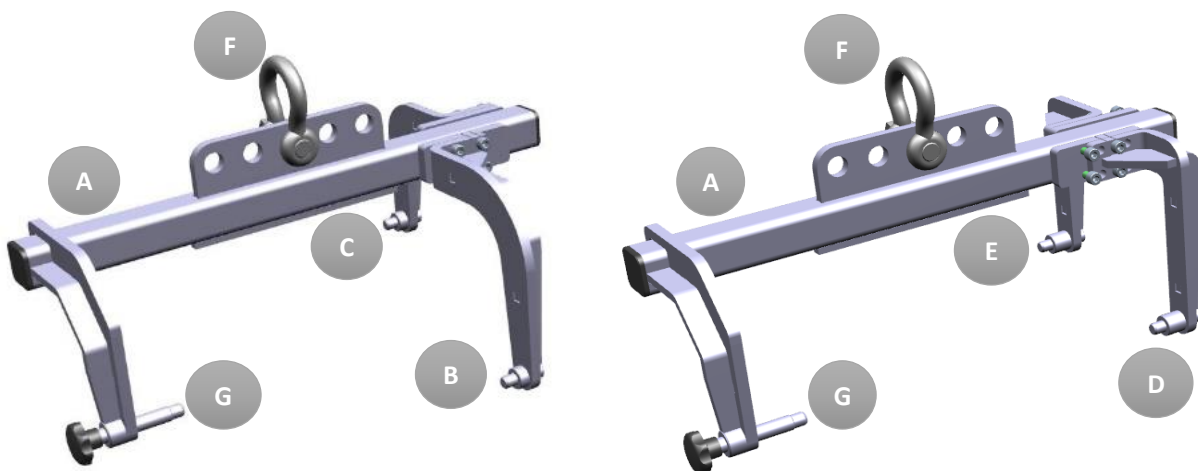
- * Activities outside of the intended use are to be excluded.

When used on vehicles with high-voltage components, observe and follow the basic information and safety instructions for high-voltage vehicles in the relevant information media of the Volkswagen Group brands.

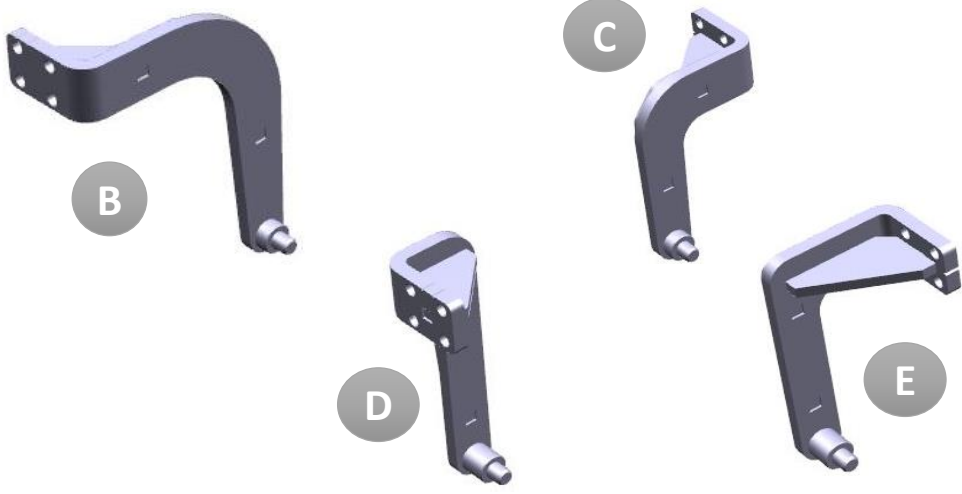
- * Wear safety shoes (according to ISO 20345, S3)
- * Check all moving parts for function and ease of movement.
- * Move the load slowly, not jerkily.
- * Observe the lifting device and the load during all movements.
- * Before lifting the load, make sure that no lines and cables are pinched.
- * Before lifting the load, make sure that no body parts are trapped.
- * Before lifting the load, make sure that the lifting device VAS 501 019 is used as intended.

2.2 Use of the lifting device VAS 501 019

The individual parts of the lifting device VAS 501 019 included in the scope of delivery are shown and described below.



2.3 Assembly of the lifting device VAS 501 019

1	<p>Prepare the lifting device VAS 501 019 with all individual parts for assembly.</p> <p>The brackets are to be used in accordance with the workshop manual.</p>
2	<p>Prepare the contact surfaces accordingly so that they are free of grease.</p> <p>The respective brackets are to be used in accordance with the repair guidelines.</p> 
3	<p>Screw the required brackets tightly to the traverse (A).</p> <p>Make sure that the orientation is correct. Use the markings on the brackets and the traverse (A) for this.</p>
4	<p>Insert the shackle (F) of the lifting device VAS 501 019 into the corresponding hole, as described in the vehicle-specific workshop manual.</p> <p>Make sure the shackle (F) and screws on the brackets are tight.</p>

5	<p>The lifting device VAS 501 019 can now be used.</p> <p>To lift the electric motor, insert the bolts of the lifting device into the guide holes on the unit according to the vehicle-specific workshop manual and tighten with the bolt (G).</p>
---	--

2.4 Disassembly of the lifting device VAS 501 019

6	<p>The disassembly takes place in reverse order to the assembly. Be careful not to lose any parts.</p>
---	--

3. Maintenance and Care

The lifting device VAS 501 019 should be checked for visible damage such as signs of wear, deformation, cracks, cracks, corrosion damage and contamination before each use.

The storage conditions should be chosen so that the lifting device VAS 501 019 cannot be damaged by corrosion.

3.1 maintenance

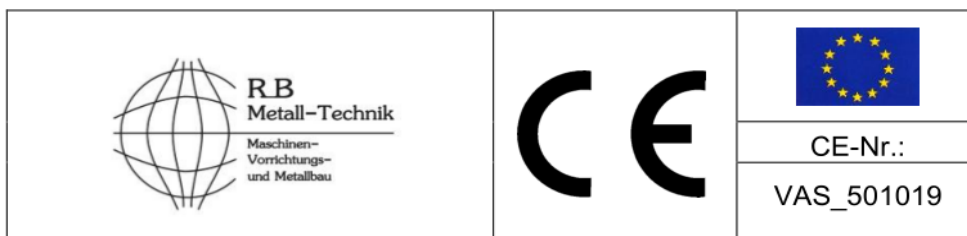
During a visual inspection, the completeness and wear of the components must be ensured.

3.2 Care instructions

To remove oil residues and lubricants, suitable operating materials such as commercially available paper towel to be used.

Contamination by chips and dirt particles must be removed using suitable equipment.

4. CE



CE-KONFORMITÄTSERKLÄRUNG nach Maschinenrichtlinie: 2006/42/EG – Anhang II A

Der unterzeichnete Hersteller:

RB Metall-Technik
 Inh. Rainer Bauch
 Am Dörrenhof 14b
 85131 Pollenfeld/ Preith (Germany)

Erklärt hiermit auf eigene Verantwortung, dass die Maschine:

BESCHREIBUNG	Hebevorrichtung VW ID3
MODELLBEZEICHNUNG	VAS 501 019
BAUJAHR	09/2020
SERIENNUMMER	001

den folgenden EU-Richtlinien:

2006/42/EG Maschinenrichtlinie

und den folgenden Standards entspricht:

DIN EN ISO 12100-1/A1:2009-10	Sicherheit von Maschinen
DIN EN ISO 13155:2009-08	Krane – Sicherheit - Lose Lastaufnahmemittel

Autor der technischen Dokumente:

RB Metall-Technik
 Inh. Rainer Bauch
 Am Dörrenhof 14b
 85131 Pollenfeld/ Preith (Germany)

Preith, 01.09.2020


Rainer Bauch (Inhaber)