

GB Operating Instruction

Table of Contents

Table of Contents

1	Safety	17
1.1	Safety instructions in this manual ...	17
2	Introduction	18
2.1	Areas of operation.....	18
2.2	Warranty and liability	18
2.3	Safety / accident prevention.....	18
2.4	Instructions for adhering to the operating instructions	19
2.5	Operator obligations.....	19
2.6	Dangers in handling the MW80.....	19
2.7	Maintenance work, repairing faults, disposal	20
2.8	Special dangers.....	20
3	Technical data	21
4	Transport and assembly	22
4.1	Assembling the feet.....	22
4.2	Assembling the sliding handle	22
4.3	Assembling the wheel support	22
5	Commissioning	22
6	Operation	23
6.1	Charging the battery.....	23
6.2	Loading and unloading	24
6.3	Transporting the load	24
6.4	Lifting loads	24
6.5	Lowering loads	24
7	Faults / causes / rectification	25
8	Maintenance and repair	26
8.1	Electrical circuit diagram.....	26
8.2	Periodic work.....	26
8.3	Description of periodic work.....	26
9	Safety examination	28
10	Declaration of Conformity	29
11	Appendix	30
11.1	Adhesive notices.....	30
11.2	Safety examination.....	31

1 Safety

1.1 Safety instructions in this manual



Danger
Risk to life and limb.



Warning
Material damage.



Information and tips.

GB Operating Instruction

Introduction

2 Introduction

Blitz lifting tools are the result of many years of experience. The high quality standards and the well-considered concept guarantee reliability, durability and economic operations. Please read these operating instructions carefully and adhere at all times to the contents in order to avoid unnecessary damage and risks.

2.1 Areas of operation

The MW80 is exclusively designed to lift, lower and transport car tyres in car garages. In this, the load must not exceed the load bearing capacity of the appliance. The appliance must not be used in areas that are exposed to the risk of explosion.



Warning

Any other use, or any use that exceeds the described scope, is deemed to be improper. This applies in particular to climbing on to the appliance, driving with the appliance or using it as a support stand.

BlitzRotary GmbH will not be made liable for damage that results from improper use. The operator carries the exclusive risk for this.

The following is also deemed necessary for proper use

- Adherence to all instructions in these operating instructions
- Adherence to inspection and maintenance work and the specified tests.

2.2 Warranty and liability

Our "General terms of sales and supply" apply. The operator has been in possession thereof since the conclusion of the contract. Warranty and liability claims for personal and material damage are excluded if they are based on one or more of the following circumstances:

- Improper use.
- Improper assembly, commissioning, operation and maintenance of the appliance.
- Operation of the MW80 while the safety installations are defect or improperly installed or non-functioning safety and protective installations.
- Failure to adhere to the instructions in the operating instructions concerning transport, storage, assembly, operation and maintenance.
- Customer modifications to the MW80.
- Substandard monitoring of parts that are subject to wear.
- Improperly implemented repairs.
- Catastrophes due to the influence of foreign bodies or acts of god.

We will not accept customer services claims or the costs of return transport in the event of there being a failure to adhere to these listed points. Therefore, please contact the manufacturing plant before organising any return transport.

2.3 Safety / accident prevention

The MW80 must only be operated by qualified persons. Unauthorised persons are prohibited from operating the appliance!

GB Operating Instruction

Introduction

2.4 Instructions for adhering to the operating instructions

- Knowledge of the fundamental safety instructions and the safety regulations is a basic precondition for safe handling and undisturbed operation of the Mobile wheel carriage.
- The operating instructions must be adhered to by all persons that work on the Mobile wheel carriage. This applies in particular to the chapter on "Safety / accident prevention".
- The rules and regulations that apply at the place of operation must also be adhered to in addition to the safety instructions in the operating instructions.

2.5 Operator obligations

The operator is obligated to only allow such persons to work on the system as

- are aware of the fundamental regulations concerning work safety and accident prevention and have been instructed in the handling of the system
- have read, understood and confirmed by signature the safety chapter and warnings in these operating instructions.

2.6 Dangers in handling the MW80



Danger

The MW80 must only be operated for its designated purpose in perfect and safe working order. Faults that may affect the safety must be rectified immediately.

The appliances are designed and constructed on the basis of state of the art technology and the recognised technical safety regulations. Nonetheless, improper use may result in a risk for the life and limb of the operator or in material damage.

- Never operate the appliance in areas that are exposed to the risk of explosion.
- Only use the appliance on an even, firm surface.
- Only move the appliance when this would not endanger any persons.

- Keep the area in which the MW80 moves free.
- Persons must not enter the area in which the MW80 moves!
- Do not exceed the maximum load bearing capacity.
- Do not climb on to the MW80, travel with it or climb on to the load!
- Carry out lifting, lowering and moving evenly. Observe the load during transport.

Organisational measures

- Keep the operating instructions accessible at all times at the place of operation of the Mobile wheel carriage.
- In addition to the operating instructions, general statutory and other binding regulations concerning accident prevention and environmental protection must be observed and publicised!
- Monitor at least occasionally during operation that the staff operate the appliance in accordance with the safety and danger instructions!
- Use personal safety equipment whenever necessary or specified in regulations!
- Observe all safety and danger instructions on the wheel assembly trolley!
- Ensure that all safety and danger instructions on the wheel assembly trolley are legible!
- Do not make any changes, additions or modifications to the wheel assembly trolley which may impede the safety without the approval of the manufacturer! This applies in particular to welding load-bearing components.
- Spare parts must conform to the technical requirements specified by the manufacturer. Only original parts can guarantee this.
- Periods prescribed or specified in the operating instructions for cyclic examinations / inspections must be adhered to!
- Switch off and secure the MW80 immediately in the event of faults! Rectify any faults immediately!

GB Operating Instruction

Introduction

2.7 Maintenance work, repairing faults, disposal

- Adhere to the setting, maintenance and inspection work and deadlines specified in the operating instructions, including the replacement of parts and equipment!
This work must only be carried out by qualified personnel.
- Always tighten screw connections that were loosened during maintenance and servicing work!
- Make sure that operating materials, fuels and spare parts are disposed of safely and in an environmentally friendly manner!

2.8 Special dangers

- Separate the charging device from the MW80 and the electric mains before the start of repair work.
- Remove voltage from the appliance at all times before the start of repair work; to do this, remove the plug from the battery.
- Do not confuse the electrical connections!

Oils, greases and other chemical substances

Observe the safety instructions that apply to the product when handling oils, greases and other chemical substances!

GB **Operating Instruction**
Technical data

3 Technical data

MW80

Load bearing capacity	kg	80
Stroke	mm	1440
Weight	kg	60
Length	mm	688
Width	mm	726
Height	mm	1865
Volume	db(A)	<75
Vibration	m/s ²	<2,5
Temperature range	°C	+10 - +40
Wheel dimensions min.	135/80 R13	
Wheel dimensions max.	305/30 R26	

Tab. 1:

Battery set

Quantity	Units	2
Voltage	V	24
Capacity	Ah	7,2

Tab. 2:

Charger

Adapter: EU,US,UK
Primary: 100-240V/ 47-63Hz/65W
Secondary: 24V, 1A, 24W

Tab. 3:

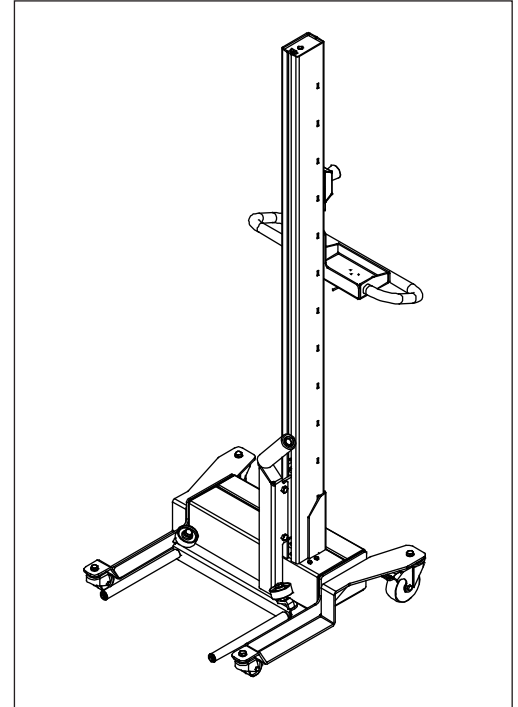


Fig. 1:

Safety installations

- Emergency off
- Up: power limitation 15 A= 80 kg
- Down: power limitation 4 A= 10 kg
- Spindle cover
- Electrical safety 16 A T

GB Operating Instruction

Transport and assembly

4 Transport and assembly

The MW80 is supplied in a carton box ready for operation. A suitable means of transport, e.g. a high-lift truck, is required for transport. Feet, handles and wheel support must be assembled on the basis of the instructions.

4.1 Assembling the feet

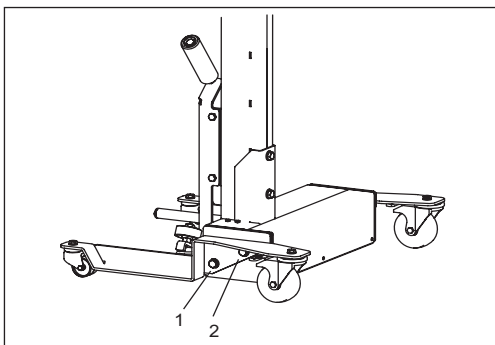


Fig. 2:

- Feet loosely screw on
- Put Mobile Wheel Carriage even on surface place
- Tighten screws (1) and (2) (M12 x 20) with a tightening moment of 60 Nm

4.2 Assembling the sliding handle

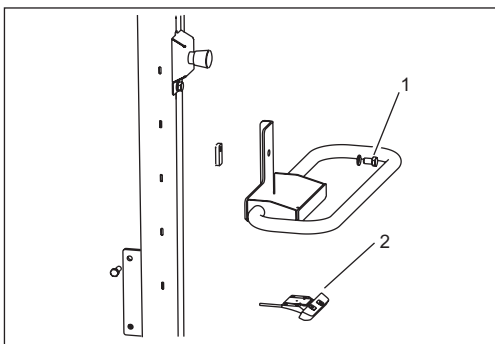


Fig. 3:

- Position the sliding handle at the desired height and connect it using screw (1)
- The operating switch(2) is screwed on beneath the rest.

4.3 Assembling the wheel support

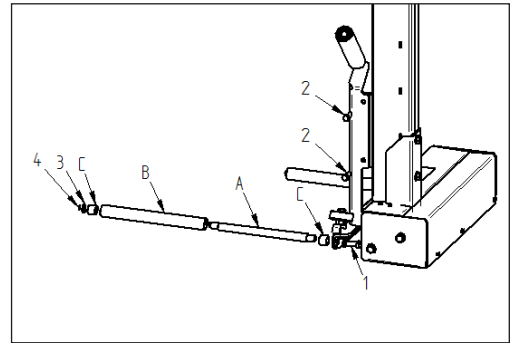


Fig. 4:

- Assembly according to figure 4
- Ma1 = 60Nm (M12x30)
- Ma2 = 40Nm (M10x30)

5 Commissioning

Warning

Check that the Mobile wheel carriage is complete and in proper working order before the first commissioning! Record the results of the examination in the maintenance plan.



GB Operating Instruction

Operation

6 Operation



Warning

Observe all instructions contained in the section "Safety" in these instructions and the valid accident prevention regulations (VBG 1; VBG 14) while operating the MW80

- The MW80 must only be operated by persons with relevant qualifications.
- Only set the MW80 in motion when there is no danger to persons.
- Keep the moving area of the lifter free at all times and ensure that no persons are present in this moving area.
- Do not exceed the maximum load bearing capacity of the MW80.
- Do not climb on to the MW80, travel with it or climb on to the load!
- Carry out lifting and lowering operations evenly. Observe the load during movement.
- Only use the lifter on a solid base.
- Only load, unload and lift when the brakes are applied to the rollers.

6.1 Charging the battery



Warning

There is a risk of stumbling or falling over the connecting cable. When charging the battery, always park the Master Wheel against a wall and make sure that the charging cable does not lie across a passageway.

Avoid explosive gases, flames and sparks. Ensure there is sufficient ventilation.

Batteries

The batteries do not require maintenance and can be charged permanently. 100 % load requires 14 hours; a standard load of 85 % requires 6 hours. Always separate the charger from the mains before making or opening the connection to the battery. Never deep discharge the battery. See charge level indicator.

Charger

Always use the matching mains plug. The scope of delivery includes plugs for Europe (EU), USA (US) and Great Britain (UK) (item 1).

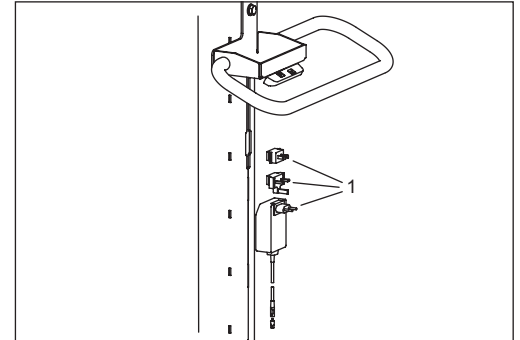


Fig. 5:

LED display on the charger

Red	Charging
Green	Received
Yellow	Battery polarity inverted

Tab. 4:



GB Operating Instruction

Operation

6.2 Loading and unloading

Position the wheel in such a way that the outside of the rim points towards the lifting mast and lies against the rollers. Before lifting or lowering, make sure that the wheel is lying securely, cannot fall off and that the rim is not damaged during turning.

6.3 Transporting the load



Warning

Risk of falling due to unfavourable position of centre of gravity, uneven floor or obstacles.

- Always completely lower the load for transporting.
- Only transport loads on an even and solid floor that is free of obstacles.

6.4 Lifting loads

- Lightly press button "Lift" (1) and slightly lift the wheel.
- Check that the wheel is held securely.
- Now fully press the button "Lift" (1) and lift the wheel to the desired height.

6.5 Lowering loads

- Check that the wheel is held securely.
- Fully press the button "Lower" (2) and lower the wheel.

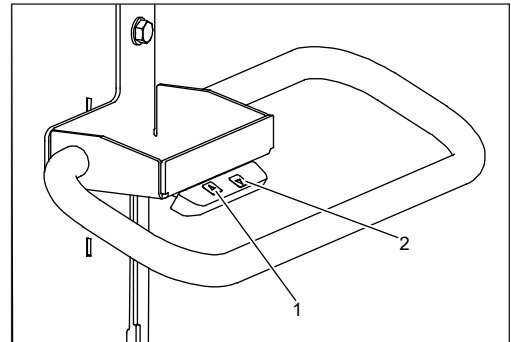


Fig. 11:

Please contact the manufacturer for additional information on all accessories for carrying and supporting loads.

BlitzRotary GmbH

Hüfinger Straße 55
78199 Bräunlingen
Deutschland
Telefon +49.771.9233.0
Telefax +49.771.9233.99
info@blitzrotary.com
www.blitzrotary.com

GB Operating Instruction

Faults / causes / rectification

7 Faults / causes / rectification

There may be simple reasons if the lifter does not work properly. Please check the possible causes as specified on the following pages. Call our technical service if you are unable to define the source of the problem.



Warning

Only qualified persons may carry out repairs on safety installations of the lifter

Unloaded: no function up/down

Possible causes	Rectification
Battery empty	<ul style="list-style-type: none"> • Charge battery
Battery defect	<ul style="list-style-type: none"> • Check battery voltage. The battery voltage should be 2x12V.
Charger defect	<ul style="list-style-type: none"> • Check the connections from and to the charger. • Check the display on the charger.
Fuse	<ul style="list-style-type: none"> • Check: There is a fuse 16A T on the motor control printed circuit board (replace if necessary)

With load: no function up/down

Possible causes	Rectification
Maximum load exceeded	<ul style="list-style-type: none"> • Check unloaded • Continue examination as mentioned under above point

Geräusche beim Anheben

Possible causes	Rectification
Dirt, lubrication	<ul style="list-style-type: none"> • Remove spindle cover and lubricate the shaft and pillar guide.

GB Operating Instruction

Maintenance and repair

8 Maintenance and repair

The operator must carry out regular servicing every 3 months. If the appliance is in permanent operation or in a particularly dirty environment, shorten the maintenance intervals accordingly.

Observe correct functions during operation. Request technical service if there is any doubt.

- Only qualified personnel may carry out maintenance and repair work.
- Maintenance and repair work on the MW80 may only be carried out when it is unloaded.
- Always tighten screw connections that were loosened as part of maintenance or servicing work!
- Make sure that operating materials, fuels and spare parts are disposed of safely and in an environmentally friendly manner!
- Separate the appliance from the electrical mains before the start of maintenance and repair work!
- Examine the wheel assembly trolley after the end of all maintenance and repair work and record the results in the examination log!

8.1 Electrical circuit diagram

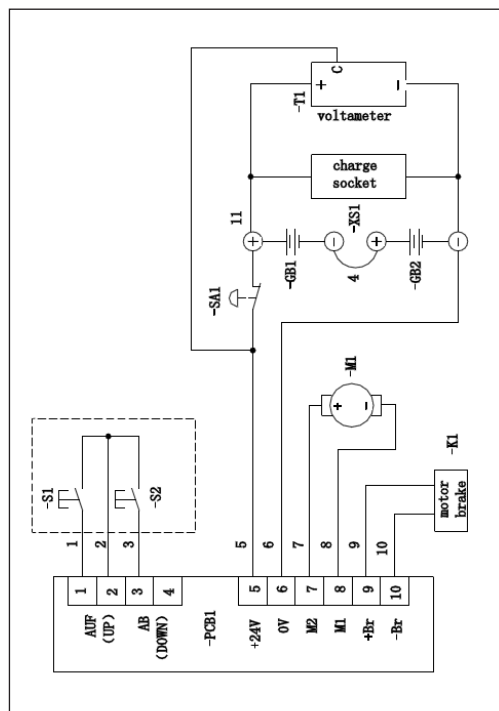


Fig. 12:

Pos.	Qty.	Description
PCB1	1	Control board
S1	1	up button
S2	1	down button
SA1	1	emergency stop
GB1	1	12V DC battery
GB2	1	12V DC battery
M1	1	Motor
K1	1	motor brake
XS1	1	DC power charge socket
T1	1	voltmeter

Tab. 4:

8.2 Periodic work

Daily

- Charge battery
- Clean

Every 3 months

- Check charger.
- Check rollers.
- Check emergency off.
- Check that all nuts and bolts are tight.
- Grease lifting spindle.
- Grease guides.
- Grease rollers on the load support.

Whenever necessary

- Replace batteries.

8.3 Description of periodic work



Warning

Risk due to unexpected activation. Before the start of the periodic work:

- Separate the appliance from the electrical mains.
- Press the emergency off switch
- Open the cover and remove the battery plug.

Cleaning

- Do not use high-pressure cleaners.
- Use standard detergents for cleaning, observe the instructions issued by the detergent manufacturer.

GB Operating Instruction

Table of Contents

- Rub the appliance dry after cleaning.

Checking the charger

- Remove the voltage from the appliance; to do this, pull the mains plug and the charging cable.
- Check the cables for damage and wear.

Checking the rollers

- All rollers must turn easily.
- Check the braking function on the steering rollers.
- Check that all screws on the rollers are tight.

Checking the emergency off

- Function test

Grease the lifting spindle and the guides

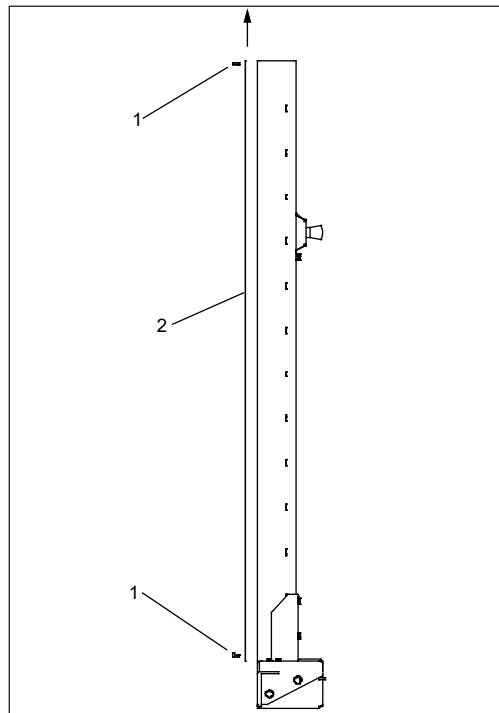


Fig. 13:

- Separate the appliance from the electrical mains before the start.

- Open the cover and pull the battery plug.
- Press the emergency off switch.
- Release screws (1) and push the cover rail (2) upwards.
- Dismantle the spindle cover.
- Grease the spindle and guide tracks on the inside of the pillar slightly.
- Assemble the spindle cover.
- Place the covering track (2) from above and tighten screw (1).
- Replace the upper connecting screw and then the lower connecting screw while the appliance is standing.

Greasing load support rollers

- All rollers must run easily.

Replacing the battery

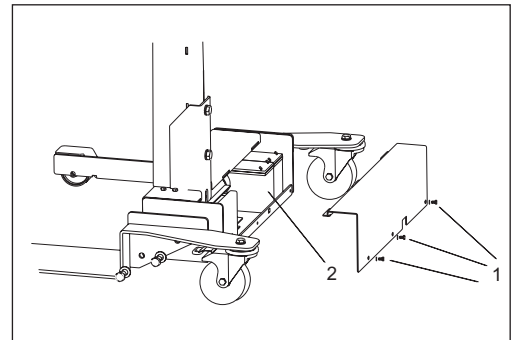


Fig. 14:

- Open the cover by releasing the screws (1)
- Pull the cable plug
- Remove batteries (2)
- Replace new batteries
- Replace the plug, do not confuse the connections
- Close the cover once more by tightening the screws (1).
- Dispose of old batteries properly.

GB Operating Instruction

Safety examination

9 Safety examination

The safety examination is necessary to guarantee the safety of the Master Wheel upon commissioning. This must be carried out and certified in specified cases by a qualified person.

- First safety examination: manufacturer carries it out before commissioning.
- Regular safety examination: in regular intervals after first commissioning, at least once a year.
- Extraordinary safety examination: after construction changes to the wheel assembly trolley.

GB Operating Instruction

Declaration of Conformity

10 Declaration of Conformity for Machines EC – RL 2006/42/EC

Manufacturer: BlitzRotary GmbH/ Dover Corporation

Address: Hüfinger Straße 55
78199 Bräunlingen

We hereby declare that the machine listed below, with regard to its concept, design and the model placed on the market, comply with the relevant health and safety requirements of the EC Directive. This declaration becomes invalid in the event of any unauthorized modifications to the lift.

Model name of lift: Master Wheel

Lift type: MW50, MW80

Description: Wheel assembly trolley, battery-operated, mobile

Relevant EC Directives: EMV Directive 2014/30/EU

Applied harmonized standards: EN 12100:2010
EN 60204-32

Name and address of person authorized to compile the technical documentation: B. Angst,
Hüfingerstrasse 55, 78199 Bräunlingen

Place, date Bräunlingen, den 02.05.2019

Signature:

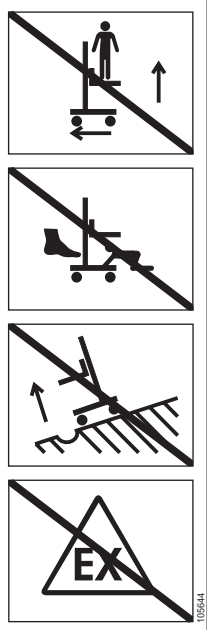



Doris Wochner-Mc-Vey
Managing Director

GB Operating Instruction
Appendix

11 Appendix

11.1 Adhesive notices

Order No.			
105644			
112572	<p>max. 80 </p>		
	<div style="background-color: black; color: white; padding: 10px;"> <div style="text-align: right; font-size: 2em; font-weight: bold;">CE</div> <table style="width: 100%; border-collapse: collapse;"> <tr> <td style="width: 50%; vertical-align: top;"> <p>Typ Type Type</p> <p>MW80</p> <p>Fabrik-Nr. Serial No. Série N°</p> <p>00001</p> </td> <td style="width: 50%; vertical-align: top;"> <p>Baujahr Year Année</p> <p>2010</p> <p>Tragfähigkeit Capacity Capacité</p> <p>80 kg</p> </td> </tr> </table> <p style="font-size: 0.8em; margin-top: 5px;">BlitzRotary GmbH • Hüfingerring Straße 55 • D-78199 Bräunlingen</p> </div>	<p>Typ Type Type</p> <p>MW80</p> <p>Fabrik-Nr. Serial No. Série N°</p> <p>00001</p>	<p>Baujahr Year Année</p> <p>2010</p> <p>Tragfähigkeit Capacity Capacité</p> <p>80 kg</p>
<p>Typ Type Type</p> <p>MW80</p> <p>Fabrik-Nr. Serial No. Série N°</p> <p>00001</p>	<p>Baujahr Year Année</p> <p>2010</p> <p>Tragfähigkeit Capacity Capacité</p> <p>80 kg</p>		

GB **Operating Instruction**
Safety examination

11.2 Safety examination

MW80

Serial No.	Year of construction
-------------------	-----------------------------

Test steps for the safety examination

- Nameplate attached and labelling in place
- Warning signs in place (load bearing capacity and warning instructions)
- Check supporting construction for deformation and cracks
- Check that all supporting screws are tight
- Check state of the electrical wires
- Check charger (cable and plug)
- Check function of the emergency off switch
- Function test with load

First safety examination carried out by manufacturer, no faults identified

BlitzRotary GmbH	
-------------------------	---

Regular safety examination

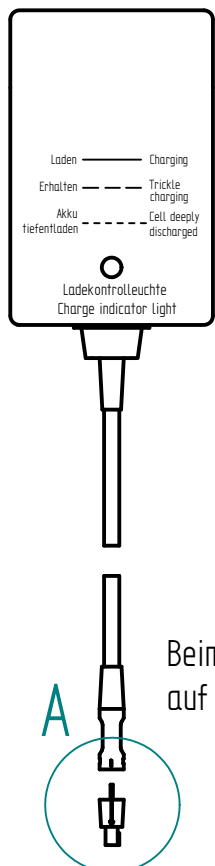
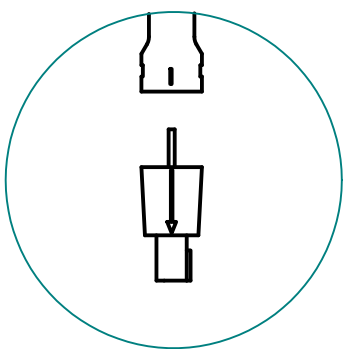
Date	Signature/Expert	No faults	Faults	Additional examination required

Allgemeintoleranzen für Schweißkonstruktionen DN 8570	Winkelmaß Δ in ° und für Schenkellänge	über 2000	über 35	über 100	über 35	über 100	über 35	über 100
		bis 4000	bis 1000	bis 2000	bis 35	bis 100	bis 35	bis 100
		± 4	± 4	± 4	± 20	± 15	± 10	± 30

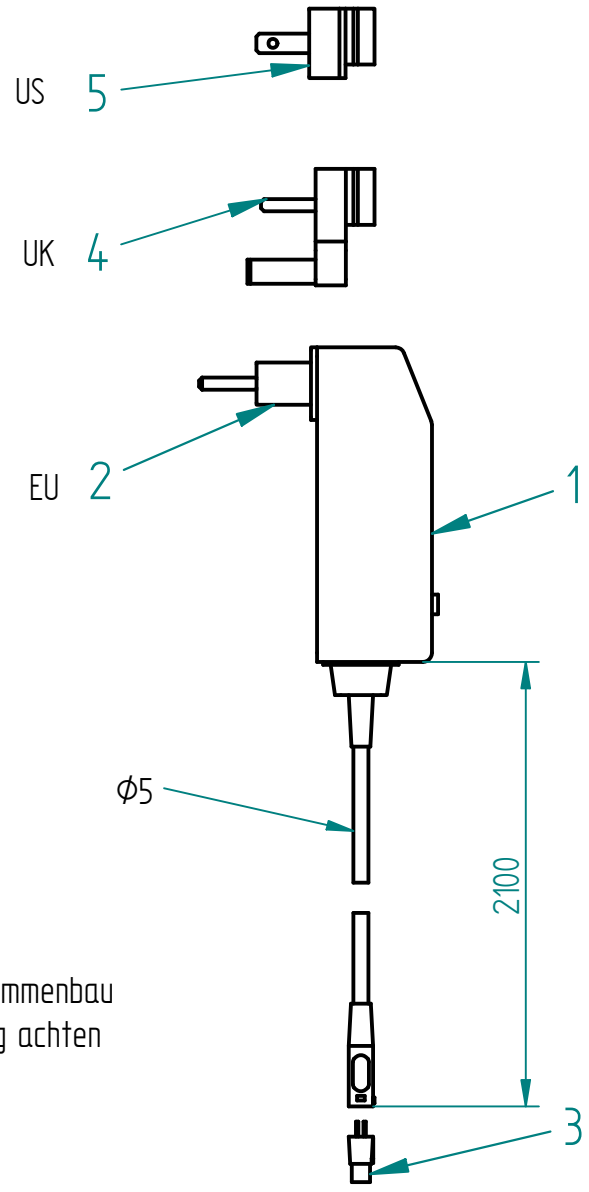
Diese Zeichnung darf nur zu den Zwecken benutzt werden, wozu sie dem Empfänger anvertraut ist, sie darf weder vervielfältigt noch Dritten Personen insbesondere Konkurrenzfirmen ohne unsere Erlaubnis mitgeteilt oder zugänglich gemacht werden.

Zusätzliche Fertigung	Zusätzliche Abweichung für Maße ohne Toleranzangabe in mm (DN 2168 = mK)	über 30	über 100	über 200	über 300	über 400	über 500	über 600	über 700	über 800	über 900	über 1000	über 2000	über 4000
		bis 60	bis 150	bis 300	bis 450	bis 600	bis 750	bis 900	bis 1050	bis 1200	bis 1350	bis 1500	bis 3000	bis 6000
		$\pm 0,1$	$\pm 0,1$	$\pm 0,15$	$\pm 0,2$	$\pm 0,3$	$\pm 0,3$	$\pm 0,3$	$\pm 0,3$	$\pm 0,3$	$\pm 0,3$	$\pm 0,5$	$\pm 0,5$	$\pm 0,5$

EINZELHEIT A



Beim Zusammenbau auf Polung achten



Primär : 100 - 240 V ~ / 47 - 63 Hz / 300 mA / 65 VA
 Sekundär : 24 V == / 1,4 A / 33,6 VA
 Sicherung : T 2,0 A

IP 30
 T 40 / B

Pos.	pcs.	Description	Order-No.
1	1	Charger	105575-Y
2	1	Connector	105115-Y
3	1	Texas connector	105117-Y
4	1	Connector	105576-Y
5	1	Connector	105577-Y

Werkstoff / Halbzeug / DIN							
MW80 126693							
Modell Nr. / Werkzeug Nr.							
Buchstabe		Änderung		Datum		Name	
BlitzRotary GmbH		Maßstab		Gez.		Zeichn.Nr.	
78199 Bräunlingen		1:2,5		14/05/18		E16111613	
Paßmaß		Abmaß		Gepr.		B	
Oberflächenbehandlung		Die Maße werden besonders geprüft		Benennung		Ladegerät kpl.	
Ersatz für				Master Wheel 80		Verfügbar	



Pos.	pcs.	Description	Order-No.
1	1	Girder welded	104074-Y
2	1	Stand complete	103887-Y
3	1	Holder	104093-Y
4	1	DC gearbox motor	103895-Y
5	1	Covering cap	105101-Y
6	2	Battery	103896-Y
7	3	Vibration damper	757108-Y
8	1	Feet left	106102-Y
8A	1	Feet left	105375-Y
9	1	Gate change	105034-Y
10	1	Feet right	106103-Y
10A	1	Feet right	105374-Y
11	2	Rotation roll	105391-Y
12	2	Axle	104615-Y
14	1	Holder	104617-Y
15	1	Coupling	103893-Y
16	1	Hand switch up-down	109968-Y
17	1	Acxle holder welded	112176-Y
18	3	Nut	70310-Y
19	1	Roll	104616-Y
20	2	Rotation roll	105774-Y
20A	2	roller	105392-Y
21	1	Control	105036-Y
22	1	Charging cable with connector	105671-Y
23	2	Hexagon bolt	700237-Y
24	8	Hexagon bolt	700044-Y
25	2	Gate change	105033-Y
26	6	Plain washer	703412-Y
27	3	Spring washer	703512-Y

Pos.	pcs.	Description	Order-No.
28	6	Hexagon bolt	703103-Y
29	13	Plain washer	703413-Y
30	2	amplification	112174-Y
31	2	Roller	105245-Y
32	2	Lock ring	704046-Y
33	3	Plain washer	703410-Y
34	3	Nut	703101-Y
35	3	Hexagon bolt	700013-Y
36	1	Hexagon bolt	105246-Y
37	2	Roller	4710012-Y
38	10	Plain washer	703421-Y
39	6	Hexagon bolt	700212-Y
40	1	Emergency stop casing	105221-Y
41	1	Emergency stop	105324-Y
42	1	Cable battery control	105672-Y
43	1	Cable battery emergency stop	105673-Y
44	1	Cable battery-battery	105674-Y
45	3	Cylinder screw	700891-Y
46	3	Nut	703027-Y
47	4	Cylinder screw	701000-Y
48	2	Hexagon bolt	700222-Y
50	1	Battery charger	105302-Y
51	1	Grub screw	701208-Y
60	1	Carton Master Wheel	105761-Y
70	1	Adhesive label	105644-Y
71	1	Adhesive label 80 kg	112572
72	1	Name plate	3600011-Y
75A	2	Hexagon bolt	700421-Y
76A	2	lock nut	703314-Y

Werkstoff / Halbzeug / DIN		Anderung		Datum		Name		Zeichn.Nr.	
MW80 126693				14/05/18		R.Baier		E16111613 B	
Modell Nr. / Werkzeug Nr.		Maßstab		Gez.		Gepr.		Benennung	
		1:5						Radmontagewagen	
Oberflächenbehandlung		Die Maße werden besonders getrippt		Ersatz für				Master Wheel 80	
								Verfügbar	