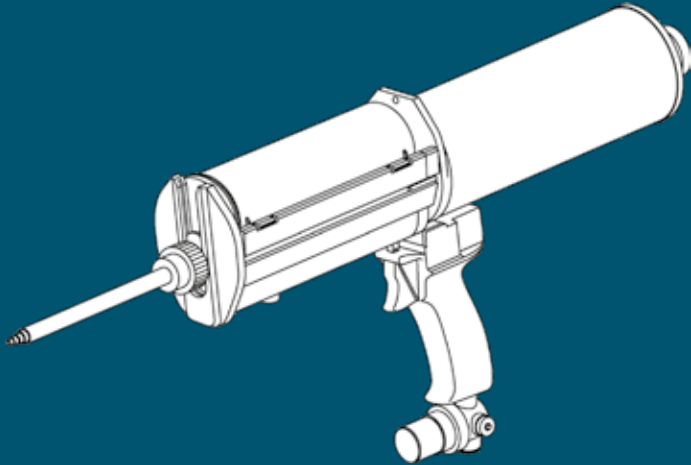


VOLKSWAGEN

AKTIENGESELLSCHAFT

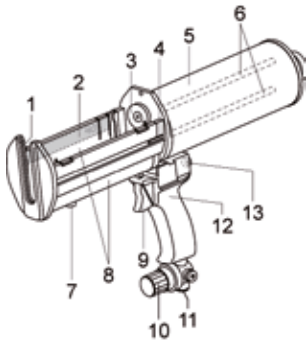


User Manual EN

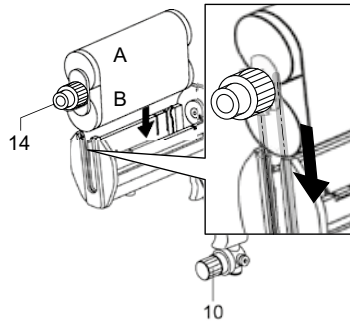
VW AG | VAS 891 005



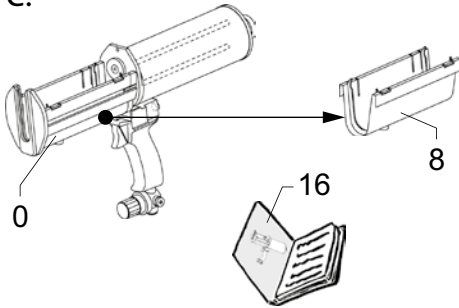
A.



B.



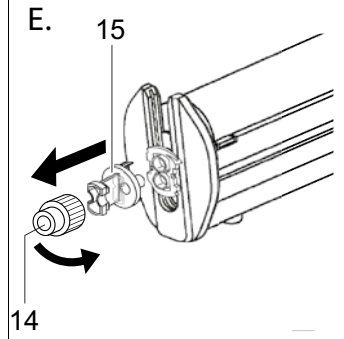
C.



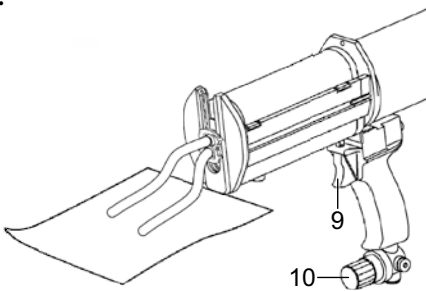
D.



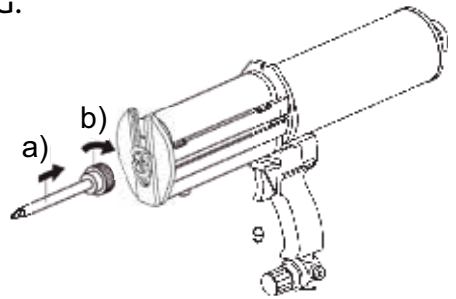
E.



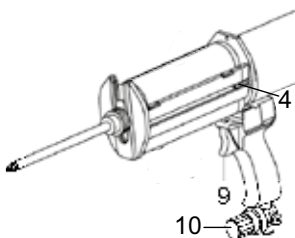
F.



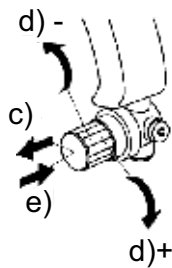
G.



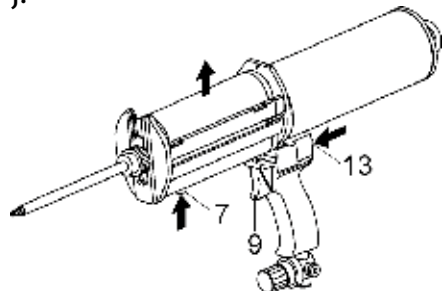
H.



I.



J.



Contents

	Page
1) Overview	2
Applied standards	2
Copyright	2
Warranty terms and conditions	2
Nameplate and CE marking	2
2) Safety regulations	2
Symbols in this user manual and on the dispensing unit	2
Safety hints that must be followed to the letter	3
Intended use	5
Improper use	5
3) Deliverables	5
4) Product overview	5
Safety sticker	5
5) Functional description	6
6) Preparation for operation	6
Hints	6
Procedure	6
7) Operation	6
Inserting the cartridge	6
Adjusting the cartridge components	6
Inserting the mixer	7
Connecting the dispensing unit to the compressed air network	7
Dispensing the material	7
Removing the cartridge	7
8) Rectifying malfunctions	8
9) Servicing and repair	8
Hints	8
Spare part ordering information	8
10) Technical specification	8
11) Compressed air diagram	9

1) Overview

The original user manual was compiled in German, with other languages derived from this version.

Applied standards

- 2006/42/EC: Machinery Directive
- EN ISO 8573-1:2010 Compressed air equipment classes
- EN ISO 12100:2010 Safety of machinery
- EN ISO 4414:2010 Safety of pneumatic fluid power systems

Copyright

All rights reserved. Without prior approval in writing from the manufacturer, these instructions may be copied neither completely nor in part, nor reproduced as electronic copy.

Warranty terms and conditions

The manufacturer guarantees the dispenser unit for 24 months ex works. This warranty excludes wear parts.

Changes to the unit, as well as repairs and servicing must be carried out exclusively by the manufacturer or its service partner; otherwise the warranty and any liability claim are void.

Nameplate and CE marking

MIXPAC® swiss made	Type DP 400 - 85 No.2016 XXXXX
-----------------------	--------------------------------



2) Safety regulations



Always keep the user manual for the user in an easily accessible place.






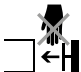





We reserve the right to make changes as a result of technical modifications.



Read through this user manual with care! Perfect functioning and operating safety are only guaranteed if users are aware of and obey all the safety regulations in this user manual.

Symbols in this user manual and on the dispensing unit

Symbol	Meaning
	INFORMATION Information on assembly, operation or maintenance.
	Imminent danger. If this is not avoided, death or very serious and irreversible injuries are the consequence.
	Potentially dangerous situation. If this is not avoided, death or very serious and irreversible injuries may be the consequence.
	Potentially dangerous situation. If this is not avoided, slight or minor irreversible injuries may be the consequence.
	Situation that could lead to damage to property.
	Generally dangerous situation.
	Risks that may arise through breathing in the vapors of chemically irritant materials.

Symbol	Meaning
	Risk of explosion
	Risks that arise from the presence of an open flame
	Risks that may arise through breathing in chemically irritant material vapors.
	Risks that can arise due to flying parts.
	Risks that can occur through tripping over objects lying on the floor.
	Risks that can arise through crushing fingers or the entire hand.
	Before using the product, read the user manual.
	Risks that arise through opening the unit. Do not under any circumstances open the unit; contact your local Sulzer distributor for servicing and repairs.
	Those using the dispensing unit, as well as individuals in the vicinity, must wear protective gloves during use.
	WEAR GOGGLES Failure to do so can lead to serious injuries.
	CE The dispensing unit bears the CE marking in compliance with the relevant European directives.



The following general safety hints give information about potential residual risks, which are present despite proper use of the unit, or may occur unexpectedly.

In addition, special safety hints that are posted directly at the corresponding situations must be obeyed.

Furthermore, local statutory regulations for accident prevention and environmental protection at the place where the unit is being operated must be observed.

The dispensing unit must not be used before the operating process and the instructions described in this user manual have been read and understood. The unit works with high pressure, see "10) Technical Specification" on page 8 **If these instructions are not followed, an accidental drop in high pressures at the dispensing unit or its bursting can lead to serious injuries to the user or those around it and to damage to property.**

Safety hints that must be followed to the letter:



WARNING Risk of injury and accident caused by failure to obey safety regulations

>> All safety regulations must be obeyed; the manufacturer is not liable for damage that is caused by failure to observe safety regulations!



⚠️ WARNING Risk of injury caused by incorrect use or failure to wear personal protective equipment

- >> The user and all persons in the vicinity must wear goggles and protective gloves while the unit is in use, in order to avoid their skin coming into contact with the dispensed material.
- >> The user must not aim the mixer tip of the dispensing unit at living persons or inanimate objects.
- >> Observe the safety hints on the cartridge.



⚠️ WARNING Risk of tripping caused by a compressed air hose/lack of cleanliness at the workplace!

- >> Always keep the workplace clean.
- >> Stow compressed air hoses so that no risk of tripping arises for the operator or third parties.



⚠️ WARNING Risk of fire and explosion

- >> Never use the dispensing unit to spray on to an open flame.
 - >> Do not use the unit close to ignition or energy sources which pose a potential risk of ignition or explosion.
- The user of the dispensing unit and all persons around it must wear safety goggles and gloves while it is in use.
 - Under no circumstances may the pneumatic drive unit (see item 5 in figure {A} on page 11) be opened or removed.
 - The dispensing unit must be handled with care. The dispensing unit must be stored in a cool, dry place. The dispensing unit must be transported carefully. Vibrations are to be avoided as far as possible. Do not let the dispensing unit fall on the floor or workbench. Avoid impacts at the workplace.
 - Safety devices must not be removed, bypassed, bridged or taken out of service while the dispensing unit is in use.

- Warning signs and notices on the unit must always be obeyed. Under no circumstances may these warning signs and notices be removed. They are to be replaced immediately if they come off or are illegible.
- The pressure regulating valve must not be removed, changed or manipulated. Pressure limits are to be obeyed to the letter.
- Check the dispensing unit before each use for visible damage and errors. Use the dispensing unit only if it is in a serviceable condition. If you have any doubts about the serviceability of the dispensing unit or signs of breaks or other damage are detectable, cease using the unit immediately. Send the unit to an agency authorized by the manufacturer for inspection and repair (see the address list on the back).
- Keep the dispensing unit clean at all times, to avoid malfunctions or injuries.
- Do not undertake independent attempts at repair or changes to the dispensing unit. Servicing and repair tasks may be carried out only by qualified technicians. Under no circumstances may these tasks be carried out if the dispensing unit is connected with the compressed air network.
- Always ensure safety at the workplace. Take care, for example, that air hoses are placed so that you or others cannot become entangled in the hoses or trip over them.
- Take care when connecting and removing compressed air hoses.
- Only original spare parts from Sulzer Mixpac may be used. If spare parts from other manufacturers are used, all claims under warranty against the manufacturer are void and this can lead to incorrect functioning or accidents.

Manipulations or changes to the dispensing unit by persons who are not authorized by the manufacturer, as well as failure to observe the safety regulations set out in the user manual, are dangerous and can lead to accidents with serious injuries and/or damage to property.

Intended use

The dispensing unit was developed for mixing and applying materials of differing compositions. Intended use stipulates compliance with the instructions in the user manual. The information in section "10) Technical Specification" on page 8 is deemed legally binding operational limits and characteristics.

Improper use

- Any uses that differ from the uses listed in the "Intended Use" section.
- Use of the unit without instruction
- Removing warning signs on the unit
- Careless handling in the vicinity of an open flame or energy sources
- Changes to the unit without the manufacturer's written consent
- Use of cartridges or spare parts from another manufacturer without the original manufacturer's written consent



⚠ WARNING Risk of injury and accident caused by improper use

>> the manufacturer is not liable for damage that has been caused by improper use!

3) Deliverables

See figure {C} on page II:

- 0 Dispensing unit
- 8 Cartridge holder*
- 16 User manual

4) Product overview

See figure {A} on page II:

- 1 Cartridge guide
- 2 Type description and serial number
- 3 Ram disks*
- 4 Dispensing volume display
- 5 Pneumatic drive unit
- 6 Piston rods
- 7 Cartridge ejection button
- 8 Cartridge holder*
- 9 Trigger
- 10 Pressure regulating valve
- 11 Compressed air feed, protective cap
- 12 Handle
- 13 Red button (retract piston rod)
- 14 Capnut
- 15 Cartridge stop
- 16 User manual
- * available as a spare part

Safety sticker



5) Functional description

See figure {A} on page II

The air pressure in the compressed air network is reduced by means of the pressure regulating valve (10). The piston rods (6) are moved out from the housing by the pneumatic pistons of the drive unit (5) and simultaneously force the dispensed materials through the mixer.



⚠ WARNING Serious risk of injury through reducing high pressures and/or bursting of the dispensing unit!

>> Follow the instructions in this user manual precisely.

6) Preparation for operation

Hints



⚠ TAKE CARE Risk of crushing caused by the ram moving out!

>> Never place your hands or fingers between the pneumatic ram and cartridge.



⚠ TAKE CARE Risk of injury and poisoning caused by materials dangerous to health!

>> Follow the manufacturer's safety regulations for 2-component materials (consult the safety data sheets).

Procedure

See figure {A} on page II:

1. Remove the protective cap (11) on the pressure regulating valve (10).
2. Installation of a ¼" BSP adapter (outside thread, national- and/or user-specific) matching the snaplock coupling on the inlet side of the pressure regulating valve.
3. Use of a highly flexible compressed air hose DN6 with a snaplock coupling (national- and/or user-specific) matching the adapter.

7) Operation

Inserting the cartridge

See figure {B} on page II:



⚠ TAKE CARE Risk of crushing caused by the ram moving out!

>> Under no circumstances insert the cartridge if the dispensing unit is connected with the compressed air network.

1. Push the cartridge with differing volume ratios into the guide (1), marked gray in the figure, always with the larger volume upwards (A-side) and push it downwards until it engages.

Adjusting the cartridge components

See figures {E} and {F} on page II:

1. Remove the capnut (14) on the cartridge by turning it counter-clockwise through 120°.
2. Remove the cartridge stop (15).
3. Set the pressure regulating valve (10) to minimum dispensing volume.
4. Press the trigger (9) until both components protrude equally.

Inserting the mixer

See figure {G} on page II:

5. Insert the mixer (a) and fasten it to the cartridge outlet thread (b) using the capnut.



If the cartridge is not in the correct position, the trigger (9) cannot be pressed.

Connecting the dispensing unit to the compressed air network

CAUTION Risk of damage caused by an incorrect compressed air supply!

>> Obey the maximum compressed air supply input pressure. See section "10) Technical Specification" on page 8.

1. Push the compressed air hose with the snaplock coupling on to the compressed air connection.

Dispensing the material

See figures {H} and {I} on page II:

1. Press the trigger (9). Dispensing begins and the red dispensed volume indicator (4) moves forward. If the trigger (9) is released, dispensing stops.
2. The output volume can be regulated via the pressure regulating valve (10) as follows:
 - c) Pull the pressure regulating valve (unlocking).
 - d) Set the dispensed volume + or - by turning the adjusting unit.
 - e) Press the pressure regulating valve to secure the set value (locking).



WARNING Serious risk of injury through reducing high pressures and/or bursting of the dispensing unit!

>> The pressure regulating valve must not be removed, changed or manipulated.

>> Obey the maximum compressed air supply input pressure. See section "10) Technical Specification" on page 8.

Removing the cartridge

See figure {} on page II:

1. Release the trigger (9) and press the red button (13) until the feed ram has moved to the rear stop.
2. Use the ejection button (7) to push the cartridge out of its holder and remove the cartridge upwards.



Dispose of the cartridge and mixer in accordance with the manufacturer's information.

8) Rectifying malfunctions

No.	Malfunction	Cause	Correction
1	Ram disks cannot be retracted into the cartridge	Cartridge is not completely in the cartridge guide	Check that no foreign body is present in the cartridge holder. Press the cartridge down completely in the cartridge holder. Caution - risk of crushing! Look out for your fingers!
2	Cartridge cannot be taken out of the unit	The ram disks are still positioned in the cartridge	Move the ram disks with the red button (13) completely to the rear until it hits the stop

9) Servicing and repair

Hints



Servicing or repair tasks are not possible, as the pressure cylinder is bonded firmly in position for safety reasons.



⚠ WARNING Risk of injury caused by accidental operation of the dispensing unit and/or parts of the unit being ejected!

>> During servicing and repair tasks, always isolate the compressed air feed from the dispensing unit.



⚠ TAKE CARE Risk of injury caused by improper servicing and repair!

>> Under no circumstances may the pneumatic drive unit (see item 5 in figure {A} on page II) be opened. Servicing or repair tasks are not possible, as the pressure cylinder is bonded firmly in position for safety reasons.

⚠ CAUTION Risk of damage caused by improper servicing and cleaning!

>> Always keep the dispensing unit clean.

>> Do not use aggressive cleaning agents to clean the surface of the unit (no cleaners containing silicone).

Spare part ordering information

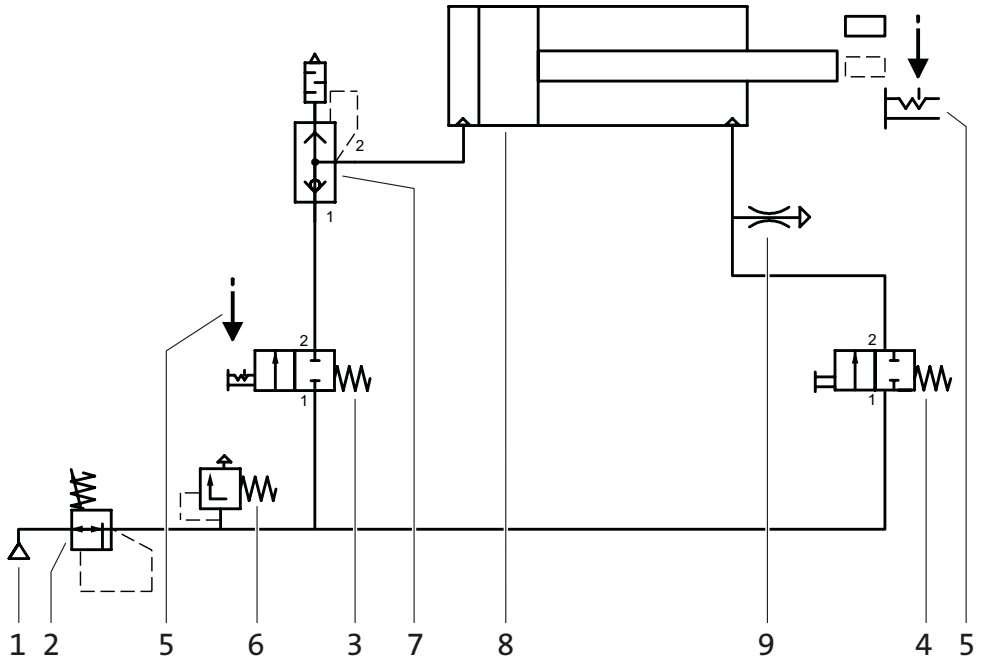
The following information must be given when ordering spare parts:

- Serial number
- Dispensing unit model
- Part description/spare part

10) Technical specification

Working pressure	max. 600 kPa (6 bar) (87 psi)
Compressed air supply	max. 800 kPa (8 bar) (120 psi)
Compressed air quality	ISO 8573-1:2010 [2:4:2]
Sound level	83 dB
Recommended working temperature	+5°C up to +40°C
Relative humidity	30% up to 80% RH (non-condensing)
Transport and storage temperature	0°C up to +40°C
Pressure setting	continuously variable
Weight	2,2 kg

11) Compressed air diagram



1. Compressed air feed max. 800 kPa
2. Pressure regulating valve 600 kPa
3. Cylinder pushbutton forward
4. Cylinder pushbutton back
5. Cartridge detection
6. Safety valve 700 kPa
7. Fast venting with silencer (built into the cylinder)
8. Cylinder
9. Leaks

KONFORMITÄTSERKLÄRUNG DECLARATION OF CONFORMITY

Wir / We
SULZER MIXPAC AG
Rütistrasse 7
CH-9469 Haag
SWITZERLAND

erklären, dass die Produkte
declare, that the products

MIXPAC™ DP200-70
MIXPAC™ DP400-85/100

auf das sich diese Erklärung bezieht, mit den Bestimmungen
der Richtlinie übereinstimmt /

to which this declaration is related to, corresponds with the provision of the directive

Richtlinie 2006/42/EG

Directive 2006/42/EC

Folgende harmonisierte Normen wurden angewandt:

The following harmonized standards were used:

DIN EN ISO 12100:2011

Sicherheit von Maschinen - Allgemeine Gestaltungsleitsätze - Risikobeurteilung und Risikominderung.

Safety of machinery - General principles for design – Risk assessment and risk reduction.

DIN EN ISO 4414:2011

Fluidtechnik – Allgemeine Regeln und sicherheitstechnische Anforderungen an Pneumatikanlagen und deren Bauteile

Pneumatic fluid power-General rules and safety requirements for systems and their components.

Dokumentationsverantwortlicher: Victor Clemens, Tel.: +41(0)81 772 20 00

Documentation responsible person:

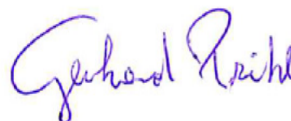
Haag, 21.08.2018

Ort und Datum der Ausstellung

Place and date of issue



Victor Clemens
Head Technology & Innovation
SULZER Mixpac AG



Gerhard Pritzi
Head of QESH
SULZER Mixpac AG